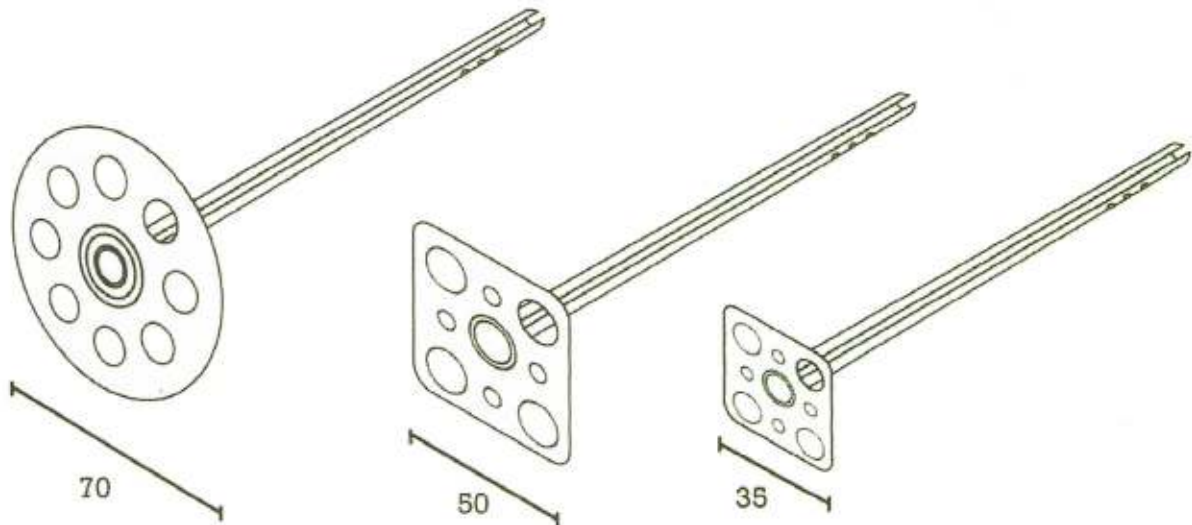




# JIF Fasteners

## Insulation Fixings

The wide range of stainless steel insulation fasteners ensures that all types of insulation material, trims and mesh are swiftly and securely fixed. The fasteners are supplied in lengths of 50mm to 220mm and manufactured from grade 430 ferric (F) stainless steel.



\* All drawings are for reference purposes only and may not be drawn to scale, please refer to sizes.

BRE REPORT S91/041 (Available on request)					ORDERING CODES		
INSULATION FASTENERS INCORPORATING PLASTIC INSERTS (SLUGS)					INSULATION THICKNESS	ANCHOR LENGTH	WASHER SIZE
ANCHOR LENGTH	SUBSTRATE TYPE		EMBEDDED DEPTH	MEAN PULLOUT	MESH/TRIM		
		DENSITY (Kg/m)	(mm)	(n)	20-25	50mm	
110mm	BRICK	1800	50	2598	30-40	70mm	35
110mm	CONCRETE	2460	50	2577	45-55	90mm	
140mm	CONCRETE	2460	50	1483	60-85	110mm	50
140mm	NO FINES	1960	50	2103	90-105	140mm	
					110-125	160mm	70
					130-145	200mm	
					150-165	220mm	(see above)
					<b>EXAMPLE:</b> 160 - 50 = 160mm insulation fastener with 50mm square head.		

## FIXING

To fix the insulation which is subsequently rendered, the fastener is driven into an 8mm hole drilled through the insulation/reinforcement material and into the substrate. The use of a mandrel is required to insert plastic expansion slugs into all anchor sizes, and would also be required to support the stem whilst driving home anchors of 90mm or above.